

## Parameter

Electric Parameters:	
Working power	21-30V DC
Bus interface	KNX/EIB
Dynamic current	< 30mA
Static current	<5mA
KNX BUS terminal	Wago 243(Red/Grey)0.6-0.8mm Diameter Single core
Environmental Conditions:	
Working temperature	0°C~45°C
Working relate Humidity	40%~98%
Storage Temperature	-20°C~+60°C
Storage relative Humidity	10%~93%
Approved:	
CE, ROHS	
KNX	
Production Information:	
Dimension	H45 x W45 x D 16 ( mm )
Net Weight	24.0g
Housing material	ABS
Installation	Screw fix installation
Protection degree	IP20

## Installation Step

- Connect bus cables.
- Make sure the Bus cable type is correct and has no short circuit.
- Connect dry contact.

## Important Notes

- **Bus cable** - KNX/EIB standard cable
- **Special programming** - This device is designed for professional KNX installation. It must be programmed by ETS software.
- **Mounting position** - When installed outdoors, pay attention to waterproof.
- **Power supply** - must use KNX approved power supply, the voltage between 21-30V.

## Overview

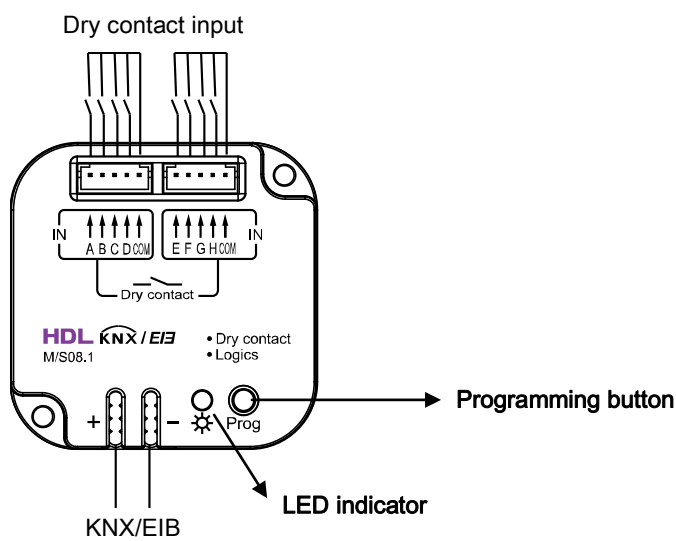
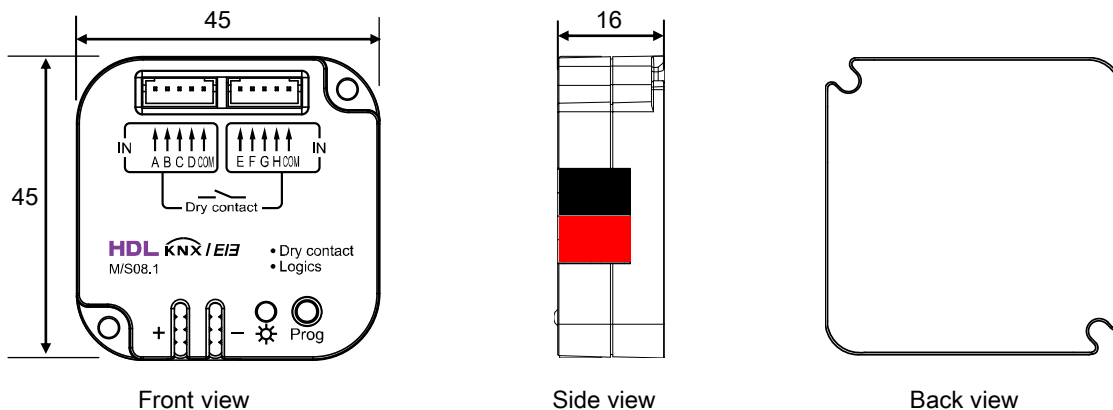


**HDL-M/S08.1** Dry contact 8CH sensor with dry contact input, it has 2 work modes: sensors controller and logical controller.

## Features

- **Bus cable** - KNX/EIB standard cable
- Can sending the variety control telegram value via KNX.
- Two work modes: Sensor controller, Logical controller.
- **Sensor controller mode**  
Control targets: Switch controller, Switch/Dimming controller, Shutter controller, Flexible controller, Scene controller, Sequence controller, Percentage controller, Threshold controller, String(14 bytes) controller, Forced position controller, Bell controller, Counter controller, Combination controller.
- **Logical controller mode**  
Its functionality consists of three parts: dry contact input, logical operation (four levels), logic block output.  
Logic block control targets: switch controller, Absolute dimming controller, Alarm controller, Shutter controller, Sequence controller, Percentage controller, Threshold controller, String(14 bytes) controller.

Layout and Wiring



**Safety attention**

- Do not make wrong connection on KNX/EIB interface, it will damage the Bus interface of this interface module.
- Do not get AC voltage into KNX/EIB wire, it will damage all devices in the system.
- Never let liquids get into the module, it will damage this device.

