

Features

HDL KNX / EIB M/P01.2,M/P02.2,M/P03.2,M/P04.2, multifunction panel controller includes many kind of data point, can be used for many applications like lighting dimming, switch, curtain etc.

- Built-in mini IR receiver.
- It supports many kind of data point and function, includes Switch control, Dimming, Shutter control, Flexible control, Scene control, Sequence control, Percentage control, Threshold control, Combination control, String(14bytes) controller, Button Lock, Button Trigger.
- Keep pressing the first and last button together for 2 seconds, the LED Indicators will flash and the device enter programming mode.

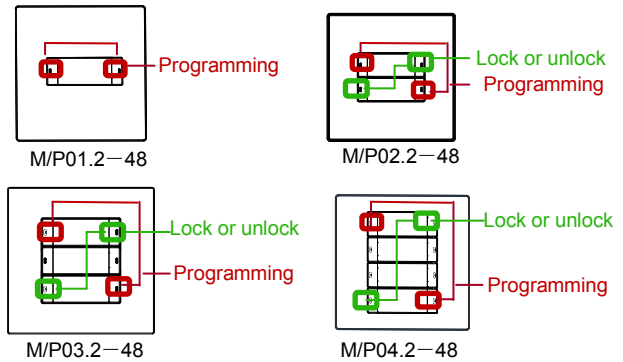
Important Notes

- It must work with Power Coupler Interface (be installed in wall-box)
- **Special Programming** – This device is designed for professional KNX installation. It must be programmed by ETS software.
- **Cable Connections** – Do not get wrong connection for Black and Red wires
- **Mounting Location** –When installed outdoors, pay attention to waterproof.
- **Voltage** - The input of voltage must be between 21-30VDC

Product Specifications

- **Working voltage (from HDL-M/PCI):** 21-30 V DC
- **Static current :** <15mA
- **Bus interface:** KNX/EIB
- **Compliance:** CE, KNX
- **Dimensions:** 116.5mm x 86mm x 10.5(mm)
- **Working temperature:** 0°C~45°C
- **Working relative humidity:** 10%~98%
- **Storage temperature:** -40°C~55°C
- **Storage relative humidity:** 10%~98%
- **IP protection:** IP20

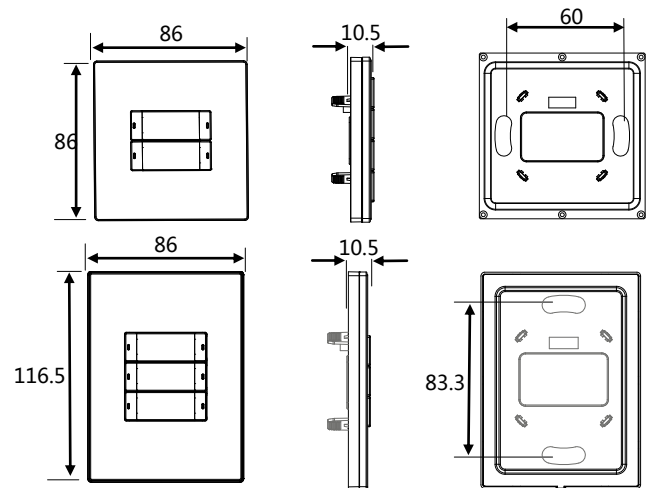
Type



Programming: Keep pressing these buttons for 2s, will enter programming mode.

Lock or unlock: keep pressing these buttons together for 2s, will lock or unlock the panel.

MP01.2-46,MP02.2-46,MP03.2-46,MP04.2-46, these panel's setting are same as above.



WARNING

Safety Attention

- KNX TP1 bus is SELV and they must be isolated and segregated from mains
- Do not get wrong connection on positive and negative for the bus cable
- Never let liquid get into module, it will damage this devices
- Do not get AC220V voltage into Bus wire, it will damage all devices in the system