

## Features

- The HDL-HSIU05.1 multi-function sensor includes ultrasonic, PIR, temperature, LUX and dry contact input
- The sensor has 5 logic function blocks with logical relation AND/OR. Each has ten output objects.
- Master & Slave for many sensors to control one channel light
- The sensor can report movement status, temperature, Lux or dry contacts status to KNX system.
- The recommend install on the wall, the height about 1.2 to 1.8m
- Supports many controls type: Switch control, Absolute dimming control, Shutter control, Alarm control, Percentage control , Sequence control, Scene control, String(14bytes) control, Threshold controller, Logic combination control.

## Installation Steps

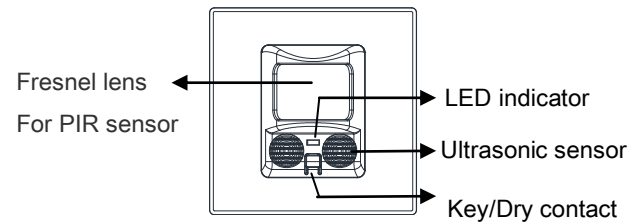
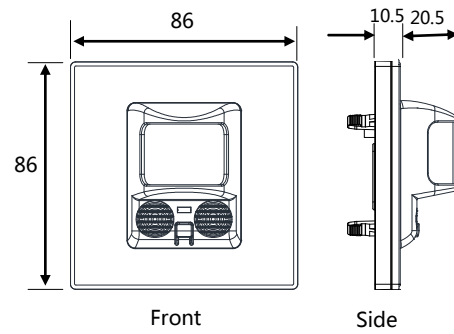
- **Special programming** – This device is designed for professional KNX installation .It must be programmed by ETS software.
- Don't apply KNX DC power to another load
- Connect KNX TP1 bus cables. Make sure the cable type and lengths are correct.
- **Mounting location** – indoor
- **Bus voltage** - The input of voltage must be between 21-30VDC

## Product Specifications

- **Working voltage** (Power Consumption):21-30VDC
- **Dynamic current**:<15mA
- **Communication** : KNX/EIB
- **Compliance**: CE, KNX
- **KNX terminals**: KNX Bus terminal – Wago 252 (Red /Black) 0.6 – 0.8mm single core cable
- **Dimensions**: H86mm x W86mm x D 61mm
- **Housing material**: Nylon
- **Working temperature** : -5°C~45°C
- **Working relative humidity** : 10%~98%
- **Storage temperature** : -40°C~55°C
- **Storage relative humidity** : 10%~98%
- **IP protection**: IP20

## Types

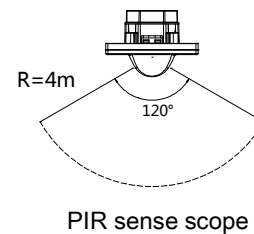
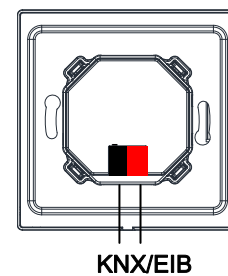
M/HSIU05.1



**LED indicator:** Green for Ultrasonic or PIR

Red for Programming.

**Key/Dry contact:** trigger logic condition, keep pressing for 2s, entre into programming mode.



## Safety Attention

- Do not make wrong connection on Bus interface, it will damage the Bus interface of this module
- Do not get AC240V voltage into KNX/EIB Bus wire and IR port, it will damage all devices in the system
- Ensure good ventilation
- Never let liquid and aggressive gas get into the module