

## Features

- 6 Channel 0-10V dimming and maximum 10A relay output for every channel. also can manually switch.
- The switch functions : Statistical total ON time, Status response ,Status recovery, Upper limit , Lower limit, Staircase light , Scene control , Scene dimming, Sequence control , Threshold switch, Heating actuator( PWM)

## Important Notes

- **Special Programming** – This device is designed for professional KNX installation. It can only be programmed by ETS software.
- **Check Connections** – Re-tighten all connections after installation.
- **Output Circuit** – The load on the switched circuits must not exceed the specified capacity of 10A, these circuits should be fed via a 10A fuse/circuit breaker.

## Installation Steps

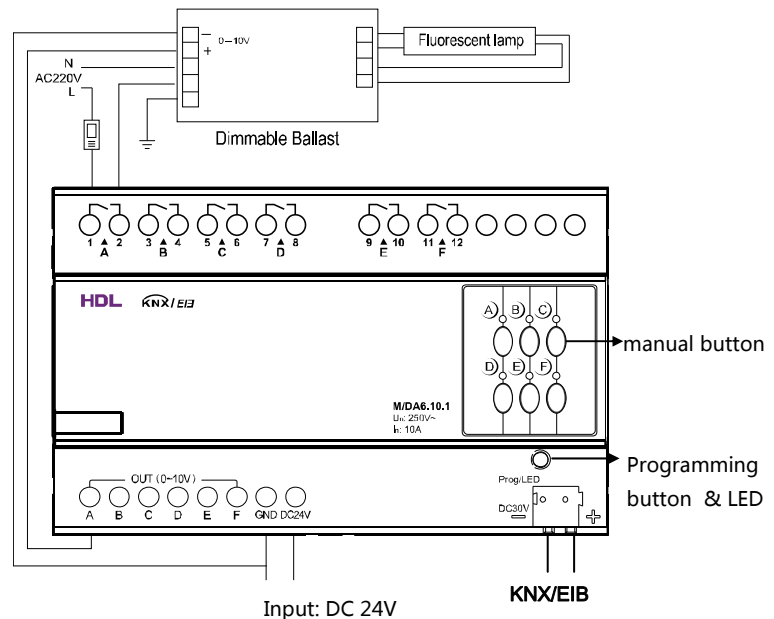
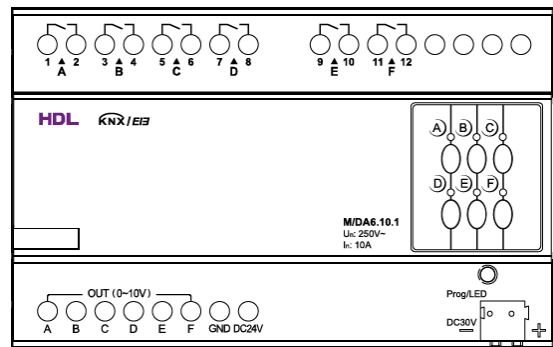
- Labeling for AC power wires, loads wires and KNX/EIB wire
- Mount the device on a DIN rail of DB
- Connect wires for loads
- Make sure there is no circuit short or open.
- Make sure the KNX cable type is correct and has no circuit short
- Connect KNX cables. Make sure the color is correct
- Tidy the all Wire and separate KNX wire from AC power wire

## Product Specifications

- **Working Voltage** :21-30VDC
- **Communication**: KNX/EIB
- **Dynamic Current**:<15mA
- **Static Current**: <5mA
- **Dimming Output**:DC0-10V, 20mA per channel
- **Channel Current**: 10A/CH
- **Shut off way**: Pulsed with the lock relay shut off
- **Relay working Voltage**:220~250V AC(50/60Hz)
- **User Controls**: Manual operation for each channel, KNX LED & button programming
- **KNX Terminals**: KNX Bus Terminal – Wago 252 (Red /Black) 0.6 – 0.8mm Diameter Single Core
- **Electrical life time**: >100000
- **Mechanical life time**: >1000000
- **Compliance**: CE, KNX
- **Construction Dimensions**: H90mm x W144mm x D 60mm
- **Housing Material**: Nylon
- **Working Temperature** : -5°C~45°C
- **Working Relative Humidity** : 10%~98%
- **Storage Temperature** : -40°C~55°C
- **Storage Relative Humidity** : 10%~98%
- **IP class**: IP20

## Types

M/DA06.10.1



- Screw down strength is less than 0.4Nm
- Connect a breaker for the device
- Installation Position: Distribution Box (DB )
- Do not make wrong connection on KNX/EIB interface, it will damage the KNX/EIB interface this module
- Do not get AC240V voltage into KNX/EIB Bus wire , it will damage all of devices in system
- Assure a good ventilation circumstances
- Rain, liquid, and aggressive gas are not allowed to close to it.